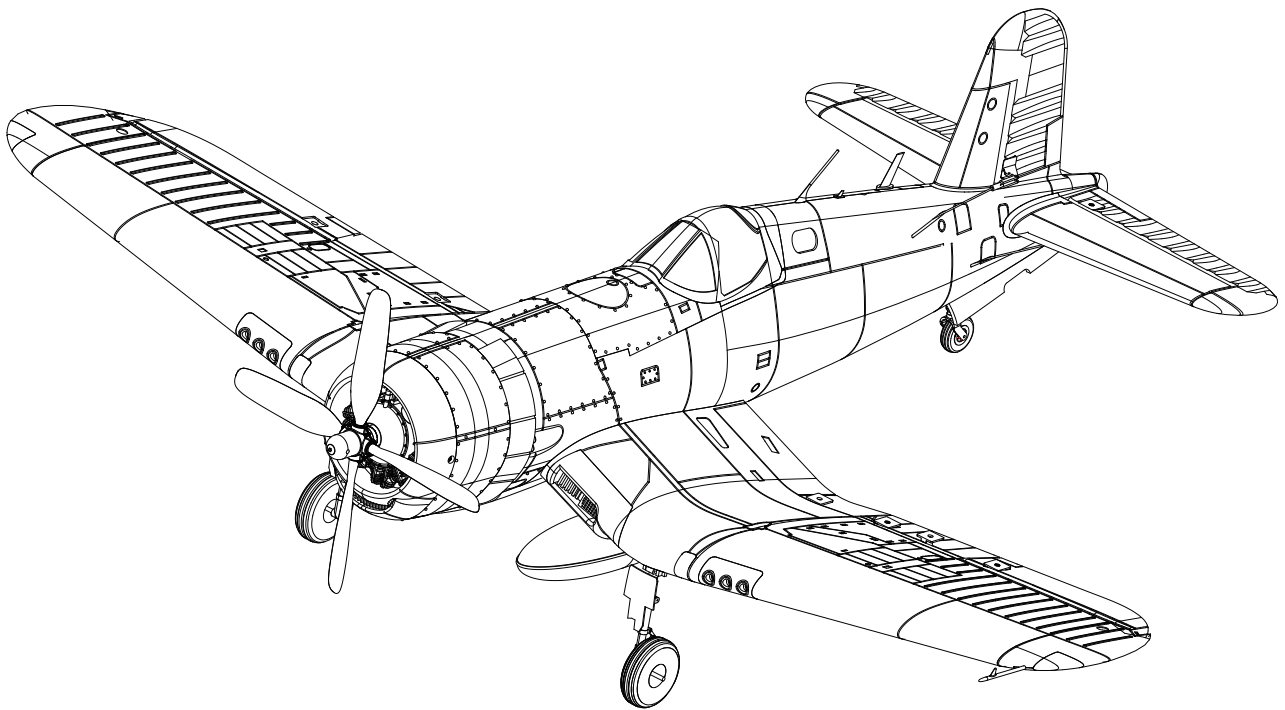


1100mm F4U-4 Operating Manual



Warning: This manual contains important information that will help you maintain and operate your model aircraft in a reliable and safe manner. Please read the instructions and warnings carefully prior to assembly, setup or use.

As this model aircraft is a sophisticated hobby product, it must be flown with safety and common sense in mind, failure in doing so may result in injury or property damage. This product is not intended for use by children without direct adult supervision.

Safety precautions and warnings

As the user, you are solely responsible for the safe operation and maintenance of this product. Follow the directions and warnings listed in this manual, as well as that of supporting equipment (chargers, batteries etc.) and always use common sense.

This is not a toy. Not for children under 14 years of age.

- ★Always operate your model in an open area away from buildings, cars, traffic or people. Never operate near people—especially children who can wander unpredictably. Never operate in populated areas for any reason, where injury or damage can occur.
- ★Always keep a safe distance in all directions around your model to avoid collisions or injury. This model is controlled by a radio signal subject to interference from many sources outside your control. Interference can cause momentary loss of control.
- ★Never catch the aircraft while it is in flight, the structure of the fuselage was not designed and protected for this purpose.
- ★Never operate your model in bad weather, including in excessively windy or precipitating conditions.
- ★Never operate your model with low transmitter batteries.
- ★Keep your throttle quadrant in its lowest position prior and after every flight. Use the throttle cut function if able.
- ★Always use fully charged batteries and move batteries before disassembly.
- ★Avoid water exposure to all equipment not specifically designed and protected for this purpose.
- ★Avoid cleaning this product with chemicals.
- ★Never lick or place any part of your model in your mouth as it could cause serious injury or even death.
- ★Keep all chemicals, small parts and anything electrical out of the reach of children.

Introduction

The F4U-4 is the last of the legendary Corsairs to serve in WWII. Delivered to the United States Navy in early 1945, the F4U-4 is powered by a Pratt and Whitney R2800-18W supercharged Twin Wasp engine- pushing 2100 horsepower. Retaining the six 12.7mm guns and load carrying capabilities of the F4U-1D, the F4U-4 achieved an unbelievable 11:1 kill ratio during its service life.

Arrows Hobby is proud to announce a faithful recreation of the F4U-4 in 1100mm wingspan form- complete with a realistic 4-bladed propeller, removable auxiliary fuel tanks, tail-hook, functional flaps, retractable landing gear and LED light kit. Power comes from a 3536-850 KV motor with a 40A ESC, giving swift ample power when needed.

Features:

- Dependable and proven power system
- Realistic scale details
- Simple airframe structure
- Easy to assemble
- Environmentally friendly water-based paint

Table of contents

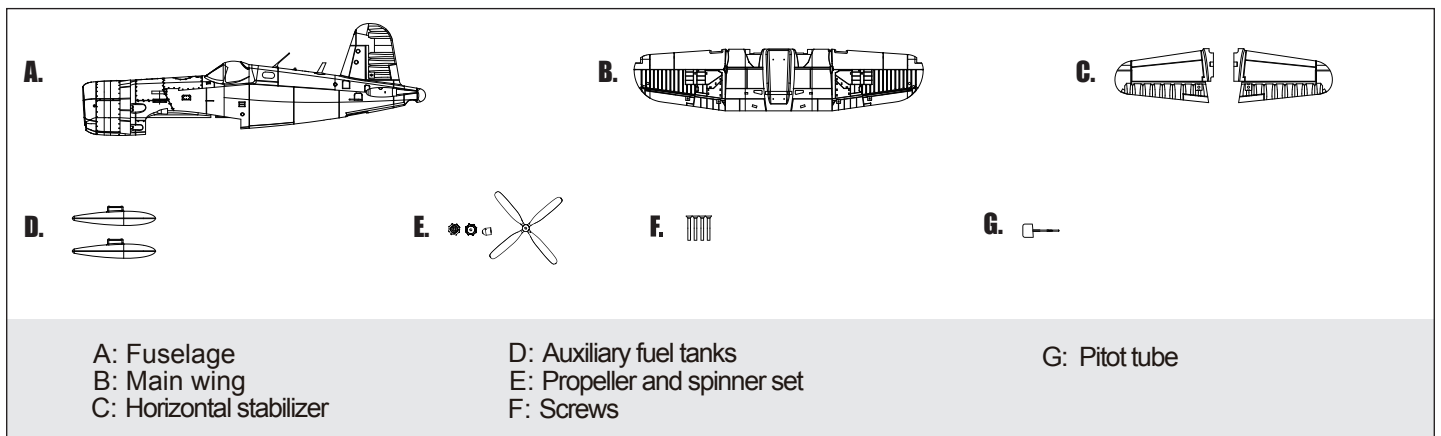
Introduction	3
Specifications	3
Kit contents	3
Model assembly	4
Battery installation	6
Receiver diagram	6
Preflight check	6
Clevis installation	7
Control horn and servo arm settings	8
Center of gravity(CG)	8
Before flying the model	8
Flight tips	9
Trouble shooting	10
Spare parts list content	10

Specifications

Wingspan	1100mm(43.3in)
Overall length	880mm(34.6in)
Flying weight	~ 1260g
Motor size	3536-KV850
Wing load	58.6g/dm² (0.13oz/in²)
Wing area	21.5dm² (333sq.in)
ESC	40A
Servo	9g Servo x 6
Recommended battery	11.1V 2200mAh 25C

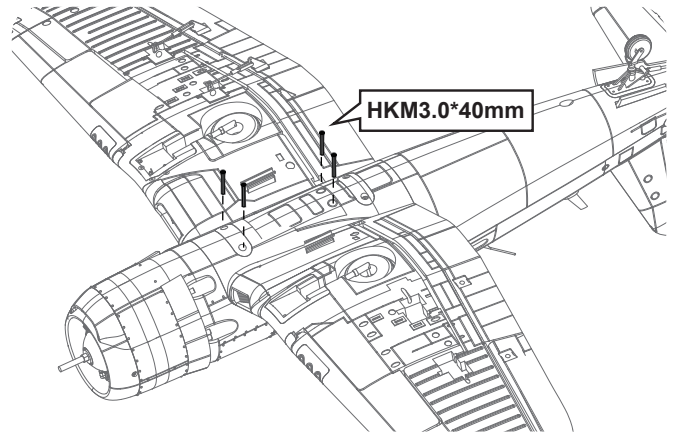
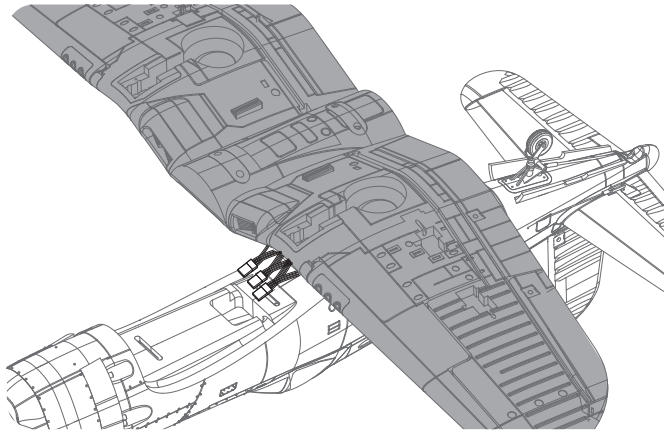
Kit contents

Before assembly, please inspect the contents of the kit. The photo below details the contents of the kit with labels. If any parts are missing or defective, please identify the name or part number (refer to the spare parts list near the end of the manual) then contact your local shop.



Wing installation

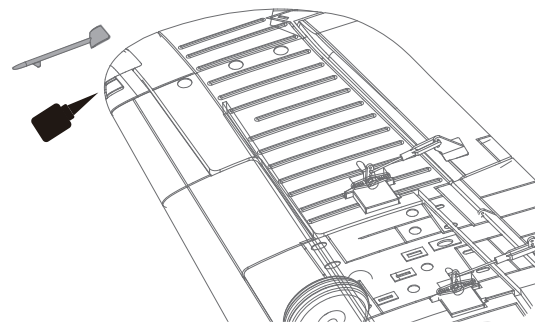
1. Insert all leads on the wing into the fuselage via the fuselage passthrough. Attach the wing onto the fuselage and ensure that the wires do not interfere with any of the servos.
2. Secure the wing to the fuselage with included screws as shown. Do not over tighten the screws.



Pitot tube installation

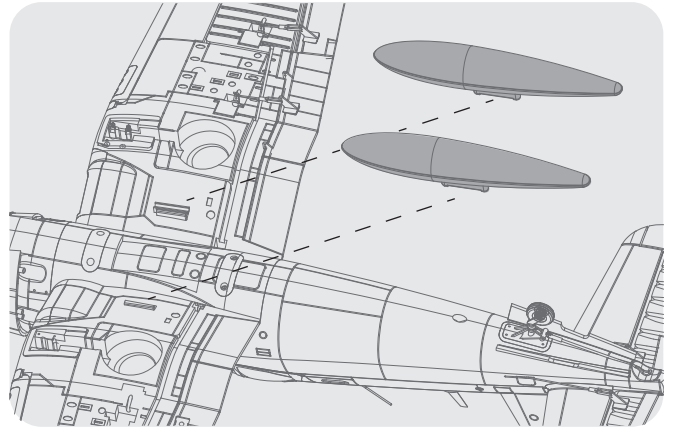
1. Carefully apply foam safe CA to the base of the shown pocket and place the pitot tube into the pocket as shown.

Required Adhesives:
Medium CA



Auxiliary fuel tank installation

1. Slide the auxiliary fuel tanks into the guide rails on the wing structure.
2. Carefully apply foam-safe CA to the horizontal stabilizer pass-through, then insert the two horizontal stabilizer halves into their slots.

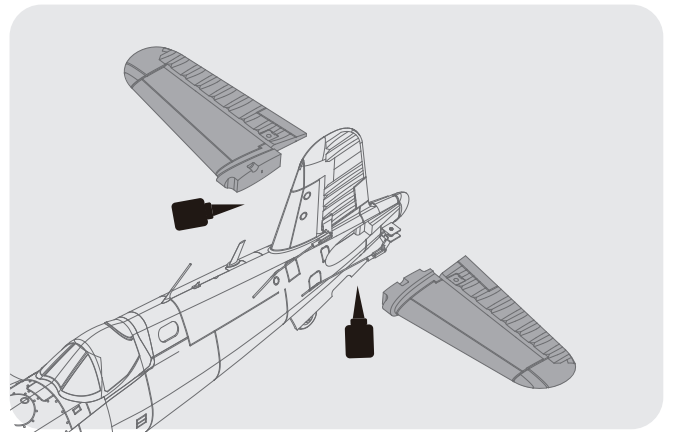


Horizontal stabilizer installation

1. Carefully apply foam safe CA to the shown pocket and place the two pieces of horizontal stabilizer into the pocket as shown.

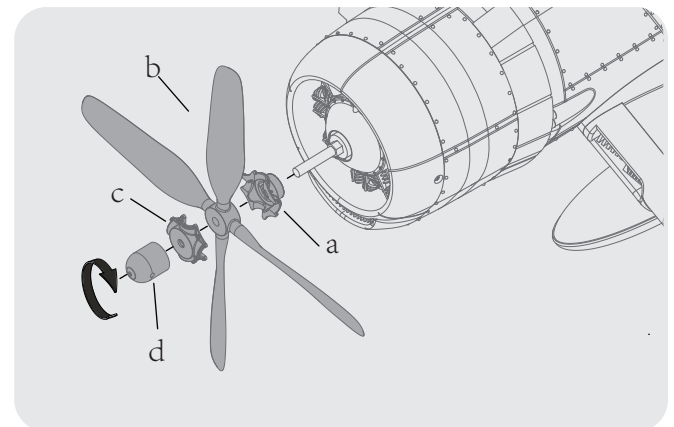
Required Adhesives:

Medium CA



Propeller and spinner installation

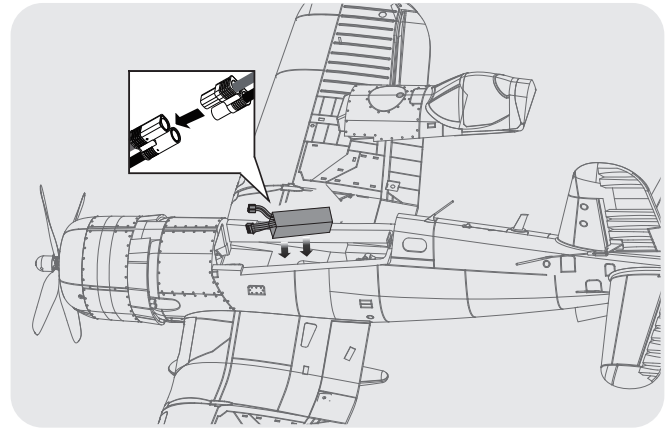
1. Assemble the propeller and spinner as shown .
Note: The motor should rotate clockwise when viewing the plane from the rear.



«—— Battery installation

1. Remove the battery hatch.
2. Remove the hook and loop tape from the fuselage. Apply the looped surface to the battery.
3. Install the battery into the fuselage- securing it with the preinstalled battery straps.

Note: The weight of each battery may vary due to different manufacturing techniques. Move the battery fore or aft to achieve the optimal center of gravity.



Receiver diagram

The cables from the servo connector board should be connected to your receiver in the order shown. Note that the LEDs can be powered by any spare channel on the receiver. Tuck the wire leads into the recessed cavity towards the rear of the battery hatch.

		Receiver
Aileron	1	Channel-1 — Aile
Elevator	2	Channel-2 — Elev
Throttle	3	Channel-3 — Thro
Rudder	4	Channel-4 — Rudd
Gear	5	Channel-5 — Gear
Spare	6	Spare Channel

«—— Preflight check

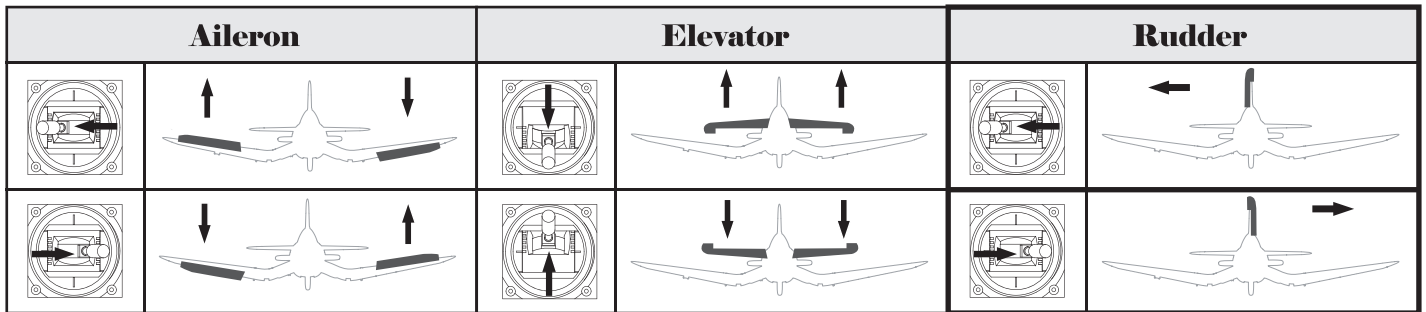
Important ESC and model information

1. The ESC included with the model has a safe start. If the motor battery is connected to the ESC and the throttle stick is not in the low throttle or off position, the motor will not start until the throttle stick is moved to the low throttle or off position. Once the throttle stick is moved to the low throttle or off position, the motor will emit a series of beeps. Several beeps with the same tune means the ESC has detected the cells of the battery. The count of the beeps equals the cells of the battery. The motor is now armed and will start when the throttle is moved.
2. The motor and ESC come pre-connected and the motor rotation should be correct. If for any reason the motor is rotating in the wrong direction, simply reverse two of the three motor wires to change the direction of rotation.
3. The motor has an optional brake setting. The ESC comes with brake switched off and we recommend that the model be flown with the brake off. However, the brake could be accidentally switched on if the motor battery is connected to the ESC while the throttle stick is set at full throttle. To switch the brake off, move the throttle stick to full throttle and plug in the motor battery. The motor will beep one time. Move the throttle stick to low throttle or the off position. The motor is ready to run and the brake will be switched off.
4. Battery Selection and Installation. We recommend the 11.1V 2200mAh 25C Li-Po battery. If using another battery, the battery must be at least a 11.1V 2200mAh 25C battery. Your battery should be approximately the same capacity, dimension and weight as the 11.1V 2200mAh 25C Li-Po battery to fit the fuselage without changing the center of gravity significantly.



transmitter and model setup

After assembly and prior to your first flight, make sure all control surfaces respond correctly to your transmitter by referring to the diagram below.



Control throws

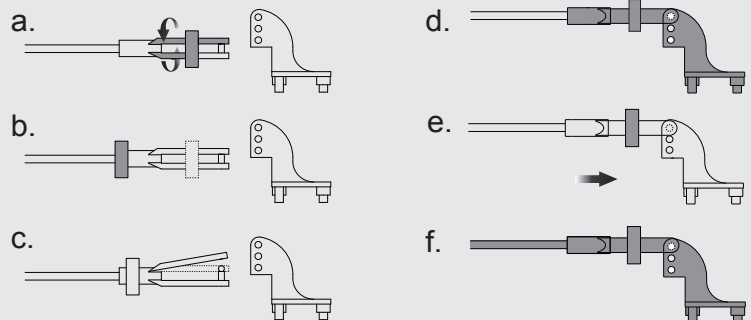
The suggested control throw setting for the F4U-4 are as follows (dual rate setting):

Tip: The maiden flight should always be flown using low rates, fly the aircraft until you are familiar with its characteristics prior to trying high rates. Make sure the aircraft is flying at altitude and adequate velocity prior to using high rates, as the aircraft will be sensitive to control inputs with the larger control surface movements.

	High Rate	Low Rate
Elevator	18mm up / down	12mm up / down
Aileron	16mm up / down	10mm up / down
Rudder	18mm left / right	14mm left / right

Clevis installation

1. Pull the tube from the clevis to the linkage.
2. Carefully spread the clevis, then insert the clevis pin into the desired hole in the control horn.
3. Move the tube to hold the clevis on the control horn.



Control horn and servo arm settings

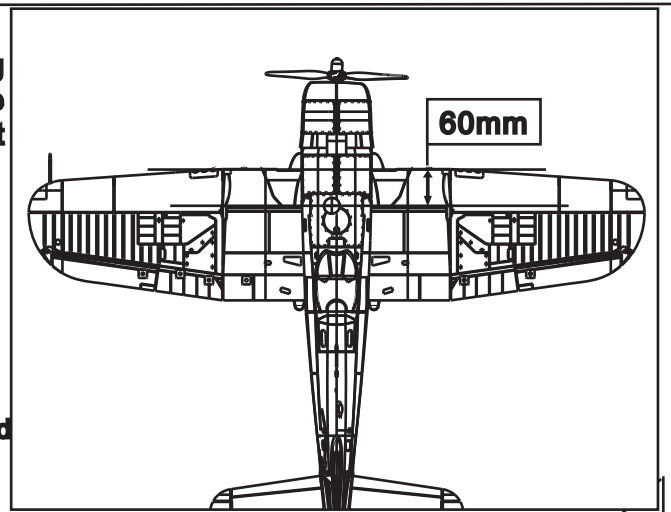
1. The table shows the factory settings for the control horns and servo arms. Fly the aircraft at the factory settings before making changes.
2. After flying, you may choose to adjust the linkage positions for the desired control response.

	Horns	Arms	More control throw
Elevator			
Rudder			
Ailerons			

Finding the center of gravity

Finding the correct center of gravity is critical in ensuring that the aircraft performs in a stable and responsive manner. Please adjust the weight distribution so the aircraft balances in the range stated on the diagram.

- Depending on the capacity and weight of your chosen flight batteries, move the battery forward or backward to adjust the center of gravity.
- If you cannot obtain the recommended CG by moving the battery to a suitable location, you can also install a counterweight to achieve correct CG. However, with the recommended battery size, a counterweight is not required. We recommend flying without unnecessary counterweight.



Before flying the model

Find a suitable flying site

Find a flying site clear of buildings, trees, power lines and other obstructions. Until you know how much area will be required and have mastered flying your plane in confined spaces, choose a site which is at least the size of two to three football fields - a flying field specifically for R/C planes is best. Never fly near people - especially children, who can wander unpredictably.

Performing a range check

A radio range check should be performed prior to the first flight of the day. This test may assist you in detecting electronic problems that may lead to a loss of control- problems such as low transmitter batteries, defective or damaged radio components or radio interference. This usually requires an assistant and should be done at the flying site.

«—— Before flying the model

Always turn your transmitter on first. Install a fully charged battery in the battery bay, then connect it to the ESC. In this process, make sure that the throttle cut functionality is on, and that the throttle stick is secured in its lowest position- otherwise, the propeller/fan will engage and possibly cause bodily harm.

Note: Please refer to your transmitter manual that came with your radio control system to perform a ground range check. If the controls are not working correctly or if anything seems wrong, do not fly the model until you correct the problem. Make certain all the servo wires are securely connected to the receiver and the transmitter batteries have a good connection.

Monitor your flight time

Monitor and limit your flight time using a timer (such as a stopwatch or on the transmitter, if available). As modern Lithium Polymer batteries are not designed to discharge completely, when the battery runs low, the ESC will lower then completely cut the power to the motors to protect the battery. Often (but not always) power can be briefly restored after the motor cuts off by holding the throttle stick all the way down for a few seconds. To avoid an unexpected dead-stick landing on your first flight, set your timer to a conservative 4 minutes. When your alarm sounds you should land right away.

—— Flight tips

Take off

Point the aircraft into the wind while slowly applying power until the aircraft starts to track straight, use the rudder when necessary. When the aircraft reaches takeoff speed, ease back on the elevator stick until the aircraft is climbing at a constant rate without decelerating. Climbing at too steep of an angle at the relatively low speeds of a takeoff-climb may result in an aerodynamic stall.

Flying

Always choose a wide-open space for flying your plane. It is ideal for you to fly at a sanctioned flying field. If you are not flying at an approved site always avoid flying near houses, trees, wires and buildings. You should also be careful to avoid flying in areas where there are many people, such as busy parks, schoolyards, or soccer fields. Consult laws and ordinances before choosing a location to fly your aircraft. After takeoff, gain some altitude. Climb to a safe height before trying technical manoeuvres.

Landing

Land the aircraft when you start to feel sluggish motor response. If using a transmitter with a timer, set the timer so you have enough flight time to make several landing approaches. The model's three point landing gear allows the model to land on hard surfaces. Align model directly into the wind and fly down to the ground. Fly the airplane down to the ground using 1/4-1/3 throttle to keep enough energy for proper flare. Before the model touches down, always fully decrease the throttle to avoid damaging the propeller or other components. The key to a great landing is to manage the power and elevator all the way to the ground and set down lightly on the main landing gear. With some practice, you will be able to set the aircraft gently on its main gear and hold it that way until the speed reduces enough where the nose wheel (tricycle landing gear aircraft) or tail wheel (tail draggers) settles onto the ground.

Maintenance

Repairs to the foam should be made with foam safe adhesives such as hot glue, foam safe CA, and 5min epoxy. When parts are not repairable, see the spare parts list for ordering by item number. Always check to make sure all screws on the aircraft are tightened. Pay special attention to make sure the spinner is firmly in place before every flight.

Problem	Possible Cause	Solution
Aircraft will not respond to the throttle but responds to other controls.	<ul style="list-style-type: none"> • ESC is not armed. • Throttle channel is reversed. 	<ul style="list-style-type: none"> • Lower throttle stick and throttle trim to lowest settings. • Reverse throttle channel on transmitter.
Excessive vibration or propeller noise.	<ul style="list-style-type: none"> • Damaged spinner, propeller, motor or motor mount. • Loose propeller and spinner parts. • Propeller installed backwards. 	<ul style="list-style-type: none"> • Replace damaged parts. • Tighten parts for propeller adapter, propeller and spinner. • Remove and install propeller correctly.
Reduced flight time or aircraft underpowered.	<ul style="list-style-type: none"> • Flight battery charge is low. • Propeller installed backward. • Flight battery damaged. 	<ul style="list-style-type: none"> • Completely recharge flight battery. • Replace flight battery and follow flight battery instructions.
Control surfaces unresponsive or sluggish.	<ul style="list-style-type: none"> • Control surface, control horn, linkage or servo damage. • Wire damaged or connections loose. 	<ul style="list-style-type: none"> • Replace or repair damaged parts and adjust controls. • Do a check of connections for loose wiring.
Controls reversed.	<ul style="list-style-type: none"> • Channels are reversed in the transmitter. 	<ul style="list-style-type: none"> • Do the control direction test and adjust controls for aircraft and transmitter.
Motor loses power Motor power pulses then motor loses power.	<ul style="list-style-type: none"> • Damage to motor, or battery. • Loss of power to aircraft. • ESC uses default soft Low Voltage Cutoff(LVC). 	<ul style="list-style-type: none"> • Do a check of batteries, transmitter, receiver, ESC, motor and wiring for damage(replace as needed). • Land aircraft immediately and recharge flight battery.
LED on receiver flashes slowly.	<ul style="list-style-type: none"> • Power loss to receiver. 	<ul style="list-style-type: none"> • Check connection from ESC to receiver. • Check servos for damage. • Check linkages for binding.

Spare parts list »

AHAE101	Fuselage	AHMount001	Motor mount
AHAE102	Main wing set	AHShaft001	Motor shaft
AHAE103	Horizontal stabilizer	AHBoard004	Motor board
AHAE104	Cockpit	AHKV850	3536-KV850 Motor
AHAE105	Auxiliary fuel tank	AHESC40A	40A ESC(200mm input cable)
AHAE106	Spinner	AHSER9GP	9g servo positive
AHAE107	Cowl	AHCON001	Multi-connector set
AHAE108	Main landing gear set		
AHAE109	Rear landing gear set		
AHAE110	Main landing gear system		
AHAE111	Linkage rods		
AHAE112	Screw set		
AHAE113	Decal sheet		
AHAE114	LED set		
AHRE003	E-retract		
AHPROP005	Propeller		

«—— Disclaimer of Warranties: ---

- This model must not be used by children younger than 14 years
- It contains small parts that could be swallowed
- Keep hands, face, hair and loose clothing away from the propeller
- Do not reach into rotating parts
- Always disconnect the battery connector after the flight and remove the battery
- Only fly where it is safe and where you do not endanger third parties
- Keep the operating instructions in a safe place and read them carefully and completely before using the model.
- We recommend people with no knowledge of model flying to commission the model under the guidance of an experienced pilot
- Before each flight, test the range of the remote control and the charge status of the rechargeable battery and check the batteries or rechargeable batteries in the remote control.

Do not fly...

- near crowds of people,
- towards people or animals,
- in poor visibility,
- near high-voltage lines or radio masts
- during thunderstorms, rain, snow or in a damp environment.

1. Always keep the aircraft in sight and under control.
2. Always use fully charged batteries / rechargeable batteries.
3. Always switch on model first, then transmitter, and always switch off model first, followed by the transmitter.
4. Do not use the model if it is visually or mechanically damaged.
5. Always check all screw connections and structures for tightness and damage
6. Never reach into the rotating propeller - risk of injury!
7. Always disconnect and remove the flight battery from the model after the flight.
8. Always charge and store the battery outside of the model, charge on a non-flammable surface, never store the battery in the model. Never charge batteries unobserved!

Check about the legal provisions applicable in your country

Warnung: Dieses Handbuch enthält wichtige Informationen, mit denen Sie Ihr Modellflugzeug zuverlässig und sicher warten und betreiben können. Bitte lesen Sie die Anweisungen und Warnungen vor der Montage, Einrichtung oder Verwendung sorgfältig durch. Da es sich bei diesem Modellflugzeug um ein hoch entwickeltes Hobbyprodukt handelt, muss es unter Berücksichtigung der Sicherheit und des gesunden Menschenverstandes geflogen werden. Andernfalls kann es zu Verletzungen oder Sachschäden kommen. Dieses Produkt ist nicht für Kinder ohne direkte Aufsicht durch Erwachsene bestimmt.

10

Sicherheitsvorkehrungen und Warnungen

Als Benutzer sind allein Sie für den sicheren Betrieb und die Wartung dieses Produkts verantwortlich. Befolgen Sie die Anweisungen und Warnungen in diesem Handbuch sowie jenen der unterstützenden Geräte (Ladegeräte, Akku usw.) und verwenden Sie immer den gesunden Menschenverstand.

Dies ist kein Spielzeug. Nicht für Kinder unter 14 Jahren!

- Betreiben Sie Ihr Modell immer in einem offenen Bereich, fern von Gebäuden, Autos, Verkehr oder Personen. Fliegen Sie niemals in der Nähe von Personen, besonders nicht von Kindern, die sich unvorhersehbar bewegen können. Fliegen Sie niemals in besiedelten Gebieten, wo Verletzungen oder Schäden auftreten können. Halten Sie immer einen Sicherheitsabstand in alle Richtungen um Ihr Modell ein, um Kollisionen oder Verletzungen zu vermeiden. Dieses Modell wird gesteuert von einem Funksignal, das von vielen Quellen außerhalb Ihrer Kontrolle gestört wird. Störungen können einen vorübergehenden Verlust der Kontrolle verursachen.
- ★ Fangen Sie das Flugzeug niemals während des Fluges, da die Rumpfstruktur nicht für diesen Zweck ausgelegt wurde.
- ★ Betreiben Sie Ihr Modell niemals bei schlechtem Wetter, auch nicht bei starkem Wind oder Niederschlag.
- ★ Betreiben Sie Ihr Modell niemals mit schwachen Senderbatterien.
- ★ Halten Sie Ihren Gashebel vor und nach jedem Flug in der niedrigsten Position. Verwenden Sie nach Möglichkeit die Not-Aus-Funktion des Motors.
- ★ Verwenden Sie immer voll aufgeladene Akkus und entfernen Sie diese stets vor der Demontage des Modells.
- ★ Vermeiden Sie Wassereinwirkung auf alle Geräte, die nicht speziell für diesen Zweck entwickelt und geschützt wurden. Reinigen Sie dieses Produkt nicht mit Chemikalien.
- ★ Nehmen Sie nie Teile des Modells in den Mund und lecken sie nicht daran, da dies zu schweren oder sogar tödlichen Verletzungen führen kann. Bewahren Sie alle Chemikalien, Kleinteile und alles Elektrische außerhalb der Reichweite von Kindern auf.

Einleitung

Die F4U-4 ist die letzte der legendären Corsairs, die im Zweiten Weltkrieg eingesetzt wurde. Die F4U-4 wurde Anfang 1945 an die US-Marine ausgeliefert und wird von einem aufgeladenen Pratt and Whitney R2800-18W Twin Wasp-Motor angetrieben, der es auf 2100 PS bringt. Unter Beibehaltung der sechs 12,7-mm-Kanonen und der Tragfähigkeit der F4U-1D erreichte die F4U-4 während ihrer Dienstzeit eine unglaubliche Abschußquote von 11:1.

Arrows Hobby ist stolz darauf, eine originalgetreue Nachbildung der F4U-4 mit einer Spannweite von 1100 mm anbieten zu können - komplett mit realistischem 4-Blatt-Propeller, abnehmbaren Zusatztanks, Schwanzhaken, funktionsfähigen Klappen, Einziehfahrwerk und LED-Lichtsatz. Der Antrieb erfolgt über einen 3536-850 KV Motor mit einem 40A ESC, der bei Bedarf für ausreichend Leistung sorgt.

Eigenschaften:

- Zuverlässiges und bewährtes Antriebssystem
- Realistische Details im Maßstab
- Einfache Struktur der Zelle
- Einfacher Aufbau/Zusammenbau
- Umweltfreundliche Farbe auf Wasserbasis

Inhaltsverzeichnis

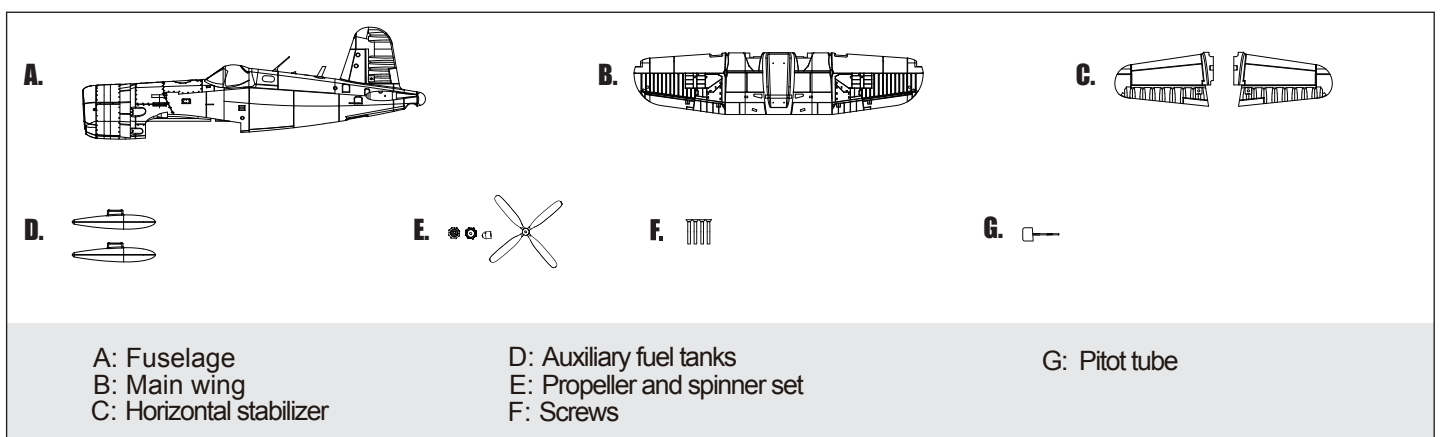
Einleitung	3
Spezifikationen	3
Lieferumfang	3
Bauanleitung	4
Akku-Installation	6
Empfänger-Plan	6
Vorflugkontrolle	6
Gabelkopf-Installation	7
Ruderhorn- und Servo-Arm-Einstellungen	8
Lastschwerpunkt	8
Vor dem Fliegen	8
Flug-Tipps	9
Problembehebung	10
Ersatzteil-Liste	10

Spezifikationen

Spannweite	1100mm(43.3in)
Gesamtlänge	880mm(39.6in)
Fluggewicht	~ 1260g
Motorstärke	3536-V850
Flügelast	58.6g/dm² (0.13oz/in²)
Flügelfläche	21.5dm² (243sq.in)
Regler	40A
Servo	9g Servo x 6
Empfohlener Akku	11,1V 2200mAh 25C

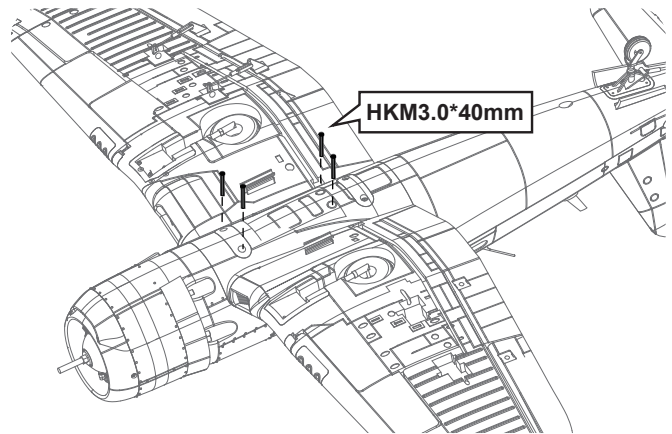
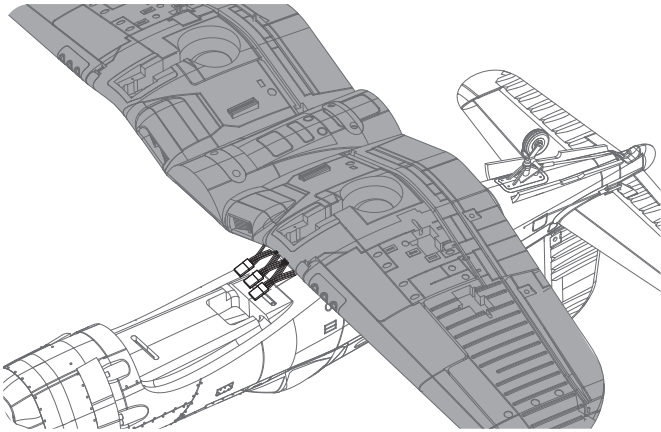
Lieferumfang

Überprüfen Sie vor dem Zusammenbau den Inhalt des Kits. Das Foto unten zeigt den Inhalt des Kits inkl. Kennzeichnung. Fehlen Teile oder sind defekt, geben Sie bitte Namen bzw. die Teilenummer (siehe die Ersatzteilliste am Ende dieser Anleitung) an Ihren örtlichen Händler weiter.



Flügel-Installation

1. Setzen Sie den Flügel auf den Rumpf und achten Sie darauf, dass keine Servodrähte eingeklemmt werden.
2. Befestigen Sie den Flügel wie gezeigt mit den mitgelieferten Schrauben am Rumpf. Ziehen Sie die Schrauben nicht zu fest an.

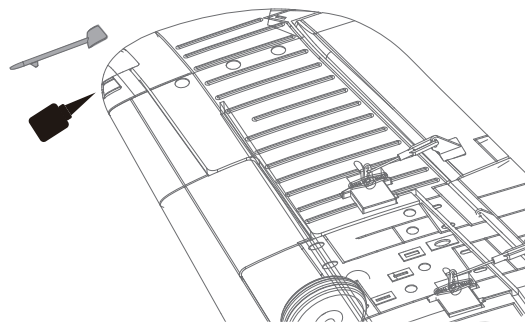


Fahrwerk-Installation

1. Tragen Sie vorsichtig schaumsicheres CA auf den Boden der abgebildeten Tasche auf und setzen Sie das Pitotrohr wie abgebildet in die Tasche ein.

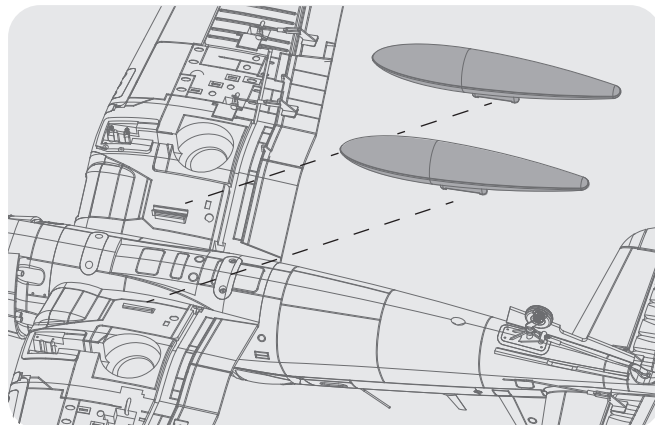
Required Adhesives:

Medium CA



Zusätzlicher Tank-Installation

1. Schieben Sie die Zusatztanks in die Führungsschienen an der Flügelstruktur.
2. Bringen Sie vorsichtig schaumsicheres CA auf den Durchgang des Höhenleitwerks auf und setzen Sie dann

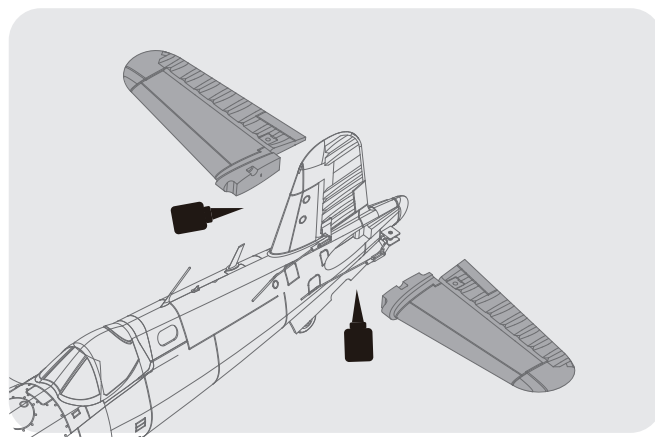


Montage des Höhenleitwerks

1. Tragen Sie vorsichtig Sekundenkleber auf die abgebildete Lasche auf und legen Sie die beiden Teile des Höhenleitwerks wie abgebildet in die Tasche.

Sekundenkleber oder passender Klebstoff

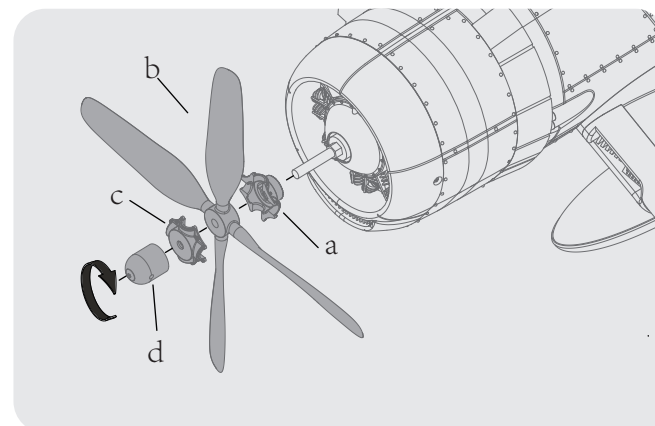
Mittelflüssig oder für Schaum



Propeller und Spinner Installation

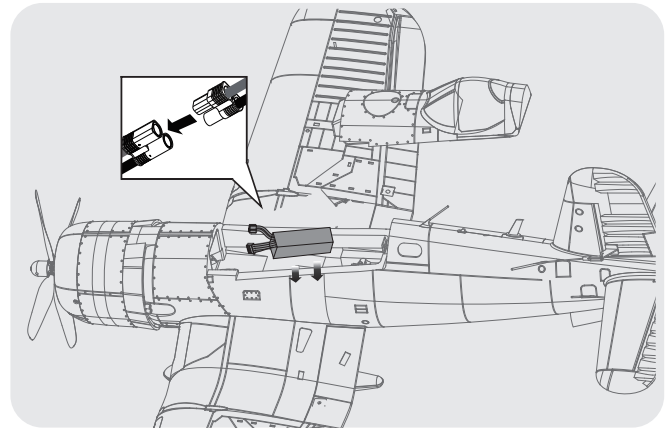
1. Bauen Sie Propeller und Spinner wie abgebildet zusammen.

Hinweis: Der Motor sollte sich beim Betrachten im Uhrzeigersinn drehen das Flugzeug von hinten.



1. Entfernen Sie die Verschlussklappe des Akkus.
2. Entfernen Sie das Klettband vom Rumpf. Bringen Sie die Schleifen-Seite am Akku an.
3. Setzen Sie den Akku in den Rumpf ein und sichern Sie sie mit den vorinstallierten Bändern.

Hinweis: Das Gewicht jedes Akkus kann aufgrund unterschiedlicher Herstellungstechniken variieren. Bewegen Sie den Akku nach vorne oder hinten, um den optimalen Schwerpunkt zu finden.



Empfängerplan

Die Kabel der Servo-Anschlussplatine sollten in der angegebenen Reihenfolge mit Ihrem Empfänger verbunden sein. Die LEDs können über einen beliebigen Ersatzkanal am Empfänger mit Strom versorgt werden. Stecken Sie die Drahtleitungen in den vertieften Hohlraum in Richtung der Rückseite der Verschlussklappe des Akkus.

		Empfänger
Querruder	1	Channel-1 — Aile
Höhenruder	2	Channel-2 — Elev
Gas	3	Channel-3 — Thro
Seitenruder	4	Channel-4 — Rudd
Fahrwerk	5	Channel-5 — Gear
Ersatzkanal	6	Spare Channel

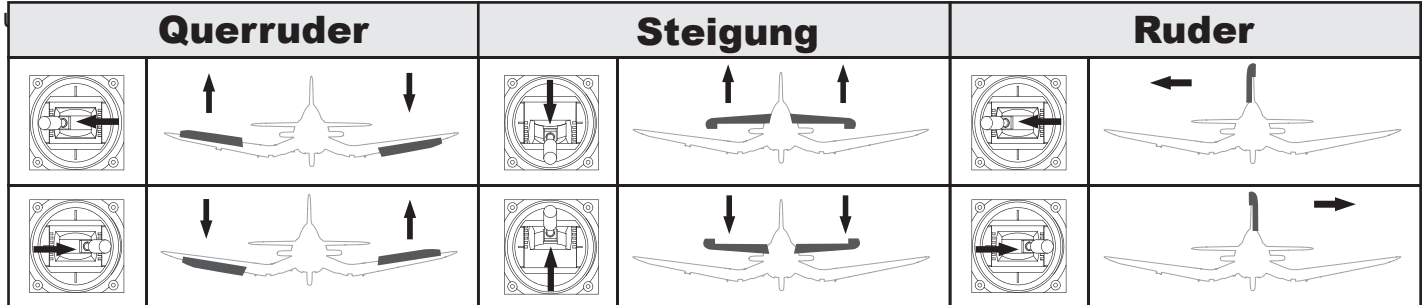
Vorflugkontrolle

Wichtige ESC- & Modell-Informationen

1. Der im Modell enthaltene Regler hat eine Funktion für sicheren Start. Wenn der Akku an den Regler angeschlossen ist und sich der Gashebel nicht in der Niedriggas- oder Aus-Position befindet, startet der Motor erst, wenn der Gashebel in die Niedriggas- oder Aus-Position gebracht wird. Sobald der Gashebel in die Niedriggas- oder Aus-Position gebracht wird, produziert der Motor eine Reihe von Signaltönen. Mehrere Pieptöne mit derselben Melodie bedeuten, dass der Regler die Zellen des Akkus erkannt hat. Die Anzahl der Pieptöne entspricht den Zellen des Akkus. Der Motor ist jetzt betriebsbereit und startet, wenn der Gashebel bewegt wird.
2. Der Motor und der Regler sind vorinstalliert und die Motordrehung sollte korrekt sein. Wenn sich der Motor aus irgendeinem Grund in die falsche Richtung dreht, drehen Sie einfach zwei der drei Motordrähte um, um die Drehrichtung zu ändern.
3. Der Motor verfügt über eine optionale Bremseneinstellung. Der ESC wird mit ausgeschalteter Bremse geliefert und wir empfehlen, das Modell mit gelöster Bremse zu fliegen. Die Bremse kann jedoch versehentlich eingeschaltet werden, wenn der Motorakku mit dem ESC verbunden ist, während der Gasknüppel auf Vollgas steht. Zum Ausschalten der Bremse den Gasknüppel auf Vollgas stellen und den Motorakku einstecken. Der Motor piept einmal. Bewegen Sie den Gasknüppel in die Niedriggas- oder die Aus-Position. Der Motor ist betriebsbereit und die Bremse wird abgeschaltet.
4. Auswahl und Installation des Akkus: Wir empfehlen den 2200mAh 25C Li-Po-Akku. Wenn Sie einen anderen verwenden, muss dieser mindestens ein 2200-2600mAh 35C-Akku sein. Er sollte ungefähr die gleiche Kapazität, Abmessung und das gleiche Gewicht wie der 2200mAh 25C 11.1V Li-Po-Akku haben, damit er in den Rumpf passt, ohne den Schwerpunkt wesentlich zu verändern.

Sender- und Modellaufbau

Stellen Sie nach der Montage und vor Ihrem ersten Flug sicher, dass alle Bedienoberflächen korrekt (wie auf dem Diagramm



Ruderausschlag

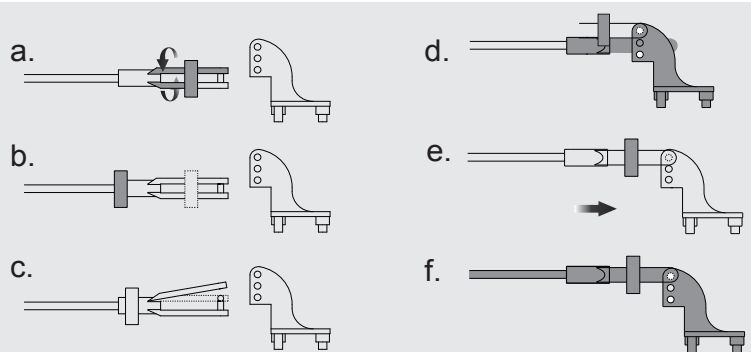
Die empfohlene Einstellung für den Ruderausschlag des Marlin lautet wie folgt (Servo-Wegbegrenzung):

Tipp: Der Jungfernflug sollte immer mit kleinem Ausschlag geflogen werden. Fliegen Sie das Flugzeug, bis Sie mit seinen Eigenschaften vertraut sind, bevor Sie große Ausschläge ausprobieren. Stellen Sie sicher, dass das Flugzeug in großer Höhe und mit ausreichender Geschwindigkeit fliegt, bevor Sie große Ausschläge verwenden, da das Flugzeug empfindlich auf Steuereingaben mit größeren Bewegungen der Steuerfläche reagiert.

	Großer Ausschlag	Kleiner Ausschlag
Höhenruder	18mm hoch / runter	12mm hoch / runter
Querruder	16mm hoch / runter	10mm hoch / runter
Seitenruder	18mm links / rechts	14mm links / rechts

« Gabelkopf-Installation

1. Ziehen Sie den Schlauch vom Gabelkopf zum Gestänge.
2. Spreizen Sie den Gabelkopf vorsichtig und führen Sie den Gabelkopfstift in das gewünschte Loch im Steuerhorn ein.
3. Bewegen Sie den Schlauch, um den Gabelkopf am Steuerhorn zu halten.



Ruderhorn- und Servo-Arm-Einstellungen

1. Die Tabelle zeigt die Werkseinstellungen für die Ruderhörner und Servo-Arme. Fliegen Sie das Flugzeug in den Werkseinstellungen, bevor Sie Änderungen vornehmen.
2. Nach dem Fliegen können Sie die Verbindung anpassen.

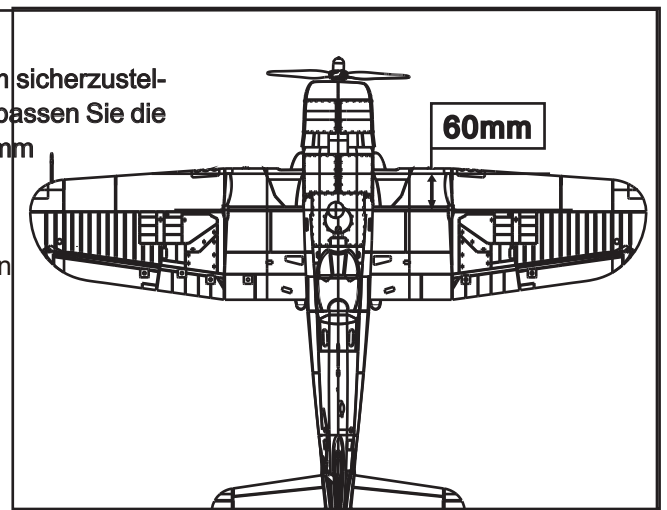
	Ruderhörner	Arme	Mehr Ruderausschlag
Höhen- runder			
Seiten- runder			
Quer- runder			

Lastschwerpunkt

• Das Einstellen des richtigen Schwerpunkts ist entscheidend, um sicherzustellen, dass das Flugzeug stabil und reaktionsschnell arbeitet. Bitte passen Sie die Gewichts-Verteilung an, sodass das Flugzeug in dem im Diagramm angegebenen Bereich balanciert.

• Abhängig von der Kapazität und dem Gewicht Ihres gewählten Akkus bewegen Sie diesen bitte vorwärts oder rückwärts, um den Schwerpunkt einzustellen.

• Wenn Sie den empfohlenen Schwerpunkt nicht erreichen können, indem Sie den Akku in die passende Position stellen, können Sie auch an geeigneter Stelle ein Gegengewicht installieren, um für Ausgleich zu sorgen. Bei der empfohlenen Akku-Größe ist ein Gegengewicht jedoch nicht erforderlich. Wir empfehlen, ohne unnötiges Gegengewicht zu fliegen.



Vor dem Fliegen

Nur an geeigneten Orten

Suchen Sie einen Flugplatz ohne Gebäude, Bäume, Stromleitungen und andere Hindernisse! Solange Sie nicht wissen, wie viel Fläche benötigt wird und Sie das Flugzeug evt. noch nicht voll beherrschen, wählen Sie bitte einen Standort mit einer Größe von mindestens zwei bis drei Fußballfeldern. Ein speziell für RC-Flugzeuge ausgewiesenes Flugfeld ist am besten geeignet. Fliegen Sie niemals in die Nähe von Menschen - insbesondere nicht von Kindern, die sich unvorhersehbar bewegen könnten.

Check der Funkreichweite

Vor dem ersten Flug des Tages sollte eine Überprüfung der Funkreichweite durchgeführt werden. Dieser Test kann Ihnen bei der Erkennung elektronischer Probleme helfen, die zu einem Verlust der Steuerungskontrolle führen können, z. B. schwache Senderbatterien, defekte oder beschädigte Funkkomponenten oder Funkstörungen. Dies erfordert normalerweise einen Assistenten und sollte am Flugplatz durchgeführt werden.

Schalten Sie Ihren Sender immer zuerst ein. Installieren Sie einen vollständig geladenen Akku im Akkufach und schließen Sie ihn an den Regler an. Stellen Sie bei diesem Vorgang sicher, dass die Gasfunktion aktiviert ist und der Gashebel in seiner niedrigsten Position gesichert ist. Andernfalls greift der Propeller/Impeller ein und verursacht möglicherweise körperliche Verletzungen.

Hinweis: Informationen zur Überprüfung des Funkbereichs finden Sie in Ihrem Senderhandbuch, das mit Ihrem Funk-Steuerungssystem geliefert wurde. Wenn die Steuerelemente nicht richtig funktionieren oder wenn etwas anderes nicht stimmt, fliegen Sie das Modell erst, wenn Sie das Problem behoben haben. Stellen Sie sicher, dass alle Servokabel fest mit dem Empfänger verbunden sind und der Akku des Senders eine gute Verbindung hat.

Flugdauer beachten

Überwachen & begrenzen Sie Ihre Flugzeit mit einem Timer (z. B. Stoppuhr o. am Sender, falls möglich). Da moderne Lithium-Polymer-Akkus nicht für eine vollständige Entladung ausgelegt sind, senkt der Regler bei niedrigem Akkustand die Motor-Leistung, um den Akku zu schützen. Oft (nicht immer) kann die Stromversorgung kurz nach dem Abschalten des Motors wiederhergestellt werden. Halten Sie den Gashebel einige Sek. ganz gedrückt. Um unbeabsichtigte, verfrühte Landungen zu vermeiden, stellen Sie Ihren Timer auf konservative 4 Minuten ein. Bei Alarm sollten Sie sofort landen.

—— Flug-Tipps ——»»

Start

Richten Sie das Flugzeug in den Wind, während Sie langsam Gas geben, bis das Flugzeug gerade zu laufen beginnt. Verwenden Sie bei Bedarf das Ruder zum Halten der Richtung. Wenn das Flugzeug die Startgeschwindigkeit erreicht hat, lassen Sie das Höhenruder wieder los, bis das Flugzeug mit einer konstanten Geschwindigkeit steigt, ohne abzubremesen. Das Steigen in einem zu steilen Winkel nach dem Abheben bei relativ niedrigen Geschwindigkeiten kann zu einem aerodynamischen Stillstand führen.

Fliegen

Wählen Sie immer ein weitläufiges Gelände zum Fliegen, am besten ein offizielles Flugfeld. Wenn Sie an anderen Ort fliegen, vermeiden Sie Nähe zu Häusern, Bäumen & Stromleitungen. Meiden Sie Gebiete mit vielen Menschen, wie Parks, Schulhöfe oder Fußballfelder. Informieren Sie sich diesbezüglich über Gesetze und Vorschriften. Nach dem Start sollten Sie Höhe gewinnen. Erst in sicherer Höhe sollten Sie technische Manöver versuchen.

Landen

Landen Sie, falls der Motor nur verzögert auf Eingaben reagiert. Wenn Sie einen Sender mit Timer verwenden, stellen Sie den Timer so ein, dass Ihnen genug Flugzeit bleibt, um mehrere Landeanflüge durchzuführen. Mit dem Dreipunktfahrwerk des Modells können Sie auch auf harten Oberflächen landen. Richten Sie das Modell direkt im Wind aus und fliegen Sie Richtung Boden. Fliegen Sie das Flugzeug mit ca. 1/4 - 1/3 des normalen Gas-Levels Richtung Boden, um genügend Energie für das richtige Aufsetzen zu erhalten. Stellen Sie vor dem Aufsetzen den Gashebel immer ganz herunter, um eine Beschädigung des Propellers oder anderer Komponenten zu vermeiden. Der Schlüssel zu einer guten Landung besteht darin, die Leistung und das Höhenruder bis zum Boden zu steuern und mit dem Hauptfahrwerk leicht aufzusetzen. Mit etwas Übung können Sie das Flugzeug vorsichtig mit dem Hauptfahrwerk aufsetzen und auf diese Weise halten, bis sich die Geschwindigkeit verringert und auch Bugrad (Dreiradfahrwerk) oder Spornrad (Heckschlepper) den Boden berühren.

Wartung

Reparaturen am Schaum sollten mit schaumsicheren Klebstoffen wie Heißkleber, schaumsicherem CA und 5-Minuten-Epoxidharz durchgeführt werden. Wenn Teile nicht reparierbar sind, finden Sie Informationen zur Bestellung nach Artikelnummer in der Ersatzteilliste. Überprüfen Sie immer, ob alle Schrauben am Flugzeug festgezogen sind. Achten Sie besonders darauf, dass der Spinner vor jedem Flug fest in Position ist.

Problem	Möglicher Grund	Lösung
Flugzeug reagiert nicht auf Gashebel, aber auf andere Befehle	<ul style="list-style-type: none"> • Drehzahlregler (ESC) ausgeschaltet. • Gaskanal seitenverkehrt eingestellt. 	<ul style="list-style-type: none"> • Gashebel und -trimmer auf niedrigsten Wert stellen. • Gaskanal am Sender umdrehen.
Übermäßige Vibration oder Propellergeräusch.	<ul style="list-style-type: none"> • Spinner, Propeller, Motor o. Motorhalterung defekt. • Propeller- und Spinnerteile lose. • Propeller falsch herum eingebaut. 	<ul style="list-style-type: none"> • Defekte Teile ersetzen. • Teile an Propeller(-Adapter) und Spinner festziehen. • Propeller anders herum montieren.
Zu kurze Flugzeit oder wenig Power.	<ul style="list-style-type: none"> • Flug-Akku ist fast leer. • Propeller falsch herum eingebaut. • Flug-Akku ist beschädigt. 	<ul style="list-style-type: none"> • Flug-Akku vollständig wieder aufladen. • Flug-Akku ersetzen und den dazugehörigen Anweisungen folgen.
Ruder reagieren nicht oder sind träge.	<ul style="list-style-type: none"> • Schäden an Rudern, Ruderhorn, Gestänge oder Servo. • Kabel beschädigt oder Verbindungen lose. 	<ul style="list-style-type: none"> • Reparieren oder ersetzen Sie beschädigte Teile und justieren Sie anschließend das Leitwerk. • Überprüfen Sie die Anschlüsse auf lose Verkabelung.
Leitwerk falsch eingestellt.	<ul style="list-style-type: none"> • Kanäle im Sender sind falsch herum eingestellt. 	<ul style="list-style-type: none"> • Checken Sie die Steuerung und stellen Sie die Steuerelemente für Flugzeug und Sender neu ein.
Motor verliert an Leistung. ODER: Motor stottert und verliert dann an Leistung.	<ul style="list-style-type: none"> • Schaden an Motor oder Akku. • Verlust d. Energiezufuhr z. Flugzeug. • Abschaltung aufgrund von Niedrigspannung (Low Voltage Cutoff). 	<ul style="list-style-type: none"> • Überprüfen Sie Batterien, Sender, Empfänger, Regler, Motor & Verkabelung (bei Bedarf ersetzen). • Sofort landen und Akku aufladen.
LED am Empfänger blinkt langsam.	<ul style="list-style-type: none"> • Empfänger benötigt Energie. 	<ul style="list-style-type: none"> • Verbindung vom ESC zum Empfänger checken. • Servos auf Beschädigungen absuchen. • Überprüfen Sie die Verbindung auf Funktion.

« Ersatzteilliste »»

AHAE101	Rumpf	AHMount001	Motorträger
AHAE102	Hauptflügel	AHShaft001	Antriebswelle
AHAE103	Höhenleitwerk	AHBoard001	Motorplatine
AHAE104	Cockpit	AHKV1150	3536-KV1150 Motor
AHAE105	Kraftstofftank	AHESC40A	40A ESC (200mm Kabel)
AHAE106	Spinner	AHSER9GP	9g Servo positiv
AHAE107	Haube	AHCON001	Multi-Connector Set
AHAE108	Haupt-Fahrwerk (inkl. Kunststoff-Einsatz)		
AHAE109	Fahrwerk/Fahrgestell		
AHAE110	Hauptfahrwerk		
AHAE111	Stangen bzw Gestänge		
AHAE112	Schrauben Set		
AHAE113	Dekorbogen		
AHAE114	LED Set		
AHRE003	E-Einziehmodus		
AHPROP005	Propeller		

«— Gewährleistungsausschluss

- Dieses Modell darf nicht von Kindern unter 14 Jahren benutzt werden.
- Es enthält kleine Teile, die verschluckt werden können
- Halten Sie Hände, Gesicht, Haare und lose Kleidung vom Propeller fern
- Greifen Sie nicht in rotierende Teile
- Ziehen Sie nach dem Flug immer den Akkustecker ab und entfernen Sie den Akku
- Fliegen Sie nur dort, wo es sicher ist und wo Sie keine Dritten gefährden
- Bewahren Sie die Betriebsanleitung gut auf und lesen sie vor der Benutzung des Modells sorgfältig durch
- Wir empfehlen Personen, die keine Kenntnisse im Modellflug haben, das Modell unter Anleitung eines erfahrenen Piloten in Betrieb zu nehmen.
- Testen Sie vor jedem Flug die Reichweite der Fernsteuerung und den Ladezustand des Akkus und überprüfen Sie die Batterien oder Akkus in der Fernsteuerung.

Fliegen Sie nicht...

- in der Nähe von Menschenansammlungen,
- auf Menschen oder Tiere zu,
- bei schlechten Sichtverhältnissen,
- in der Nähe von Hochspannungsleitungen oder Funkmasten
- bei Gewitter, Regen, Schnee oder in einer feuchten Umgebung.

1. Behalten Sie das Flugzeug immer im Blick und unter Kontrolle.
2. Verwenden Sie immer voll geladene Batterien/Akkus.
3. Schalten Sie immer zuerst das Modell ein, dann den Sender, und schalten Sie immer zuerst das Modell und dann den Sender aus.
4. Verwenden Sie das Modell nicht, wenn es visuell oder mechanisch beschädigt ist.
5. Überprüfen Sie immer alle Schraubverbindungen und Konstruktionen auf festen Sitz und Beschädigungen.
6. Niemals in den rotierenden Propeller greifen - Verletzungsgefahr!
7. Trennen Sie nach dem Flug immer den Flugakku vom Modell und entfernen Sie ihn.
8. Laden und lagern Sie den Akku immer außerhalb des Modells, laden Sie ihn auf einer nicht brennbaren Unterlage, lagern Sie den Akku nie im Modell. Laden Sie Akkus nie unbeobachtet!

Informieren Sie sich über die in Ihrem Land geltenden gesetzlichen Bestimmungen

Konformitätserklärung gemäß Richtlinie Radio Equipment Directive (RED) 2014/53/EU

Declaration of Conformity in accordance with the Radio Equipment Directive (RED) 2014/53/EU

Déclaration de conformité selon la directive Radio Equipment Directive (RED) 2014/53/UE

Hiermit wird erklärt, dass das Produkt:

I hereby declare that the product:

Il est déclaré que le produit:

Arrows F4U Corsair powered by MODSTER

Arrows F4U Corsair powered by MODSTER

Artikelnummer:

280325

Product number:

280325

Artikelnummer:

Bei bestimmungsgemäßer Verwendung den grundlegenden Anforderungen nach Artikel 3 und den übrigen einschlägigen Bestimmungen der Richtlinie (RED) 2014/53/EU entspricht.

Complies with the essential requirements and the other relevant provisions of the Directive (RED) 2014/53/EU, when used for its intended purpose.

Utilisé selon l'usage prévu est conforme aux exigences essentielles selon l'article 3 ainsi qu'aux autres dispositions pertinentes de la directive (RED) 2014/53/UE.

In Übereinstimmung mit den folgenden harmonisierten Normen gefertigt:

Manufactured in accordance with the following harmonised standards:

Fabriqué conformément aux normes harmonisées suivantes:

EN 62479:2010

EN 301 489-1 V2.1.1 (2017-02)

EN 301 489-3 V2.2.1 (2017-03)

EN 60950-1 / A11+A1+A12+A2 Version 2013

EN 62311 Version 2008

EN 300 440 V2.1.1 (2017-03)

Hersteller / verantwortliche Person: **MSG Online GmbH, Walter Bittdorfer**

Manufacturer / responsible Person: **Wirtschaftspark 9**

Fabricant / personne responsable: **8530 Deutschlandsberg, Austria**



Walter Bittdorfer

Geschäftsführer / managing director / directeur général

place of issue/ date:

Deutschlandsberg (Austria), 27.12.2019

Fait à / le:

Frequency Range: 2420 MHz - 2460 MHz

Sending Level 0.57 dBm

The EIRP of the EUT is below the max. permitted sending level of 20 mW.

Therefore the EUT is not required to conduct SAR measurement.



MSG ONLINE GMBH
WIRTSCHAFTSPARK 9
A-8530 DEUTSCHLANDSBERG

FIRMENBUCH GRAZ FN315230Z • UID-NR. ATU 64361513
EVA-PARTNERNUMMER: 152216
ARA LIZENZNUMMER: 17749 • GRS NUMMER: 110072576
INTERSEROH HERSTELLER ID (EAR): 152204
WEE REG.-NR. DE 44576630

